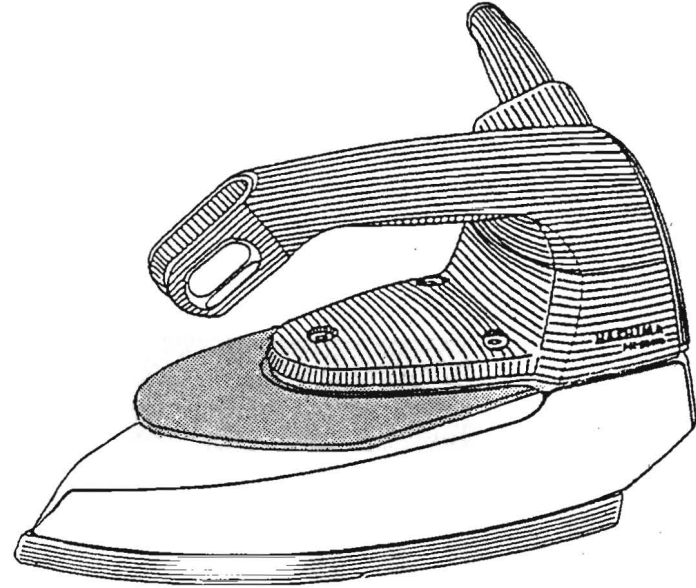


HASHIMA

INDUSTRIAL STEAM IRON

HI-360DS ←

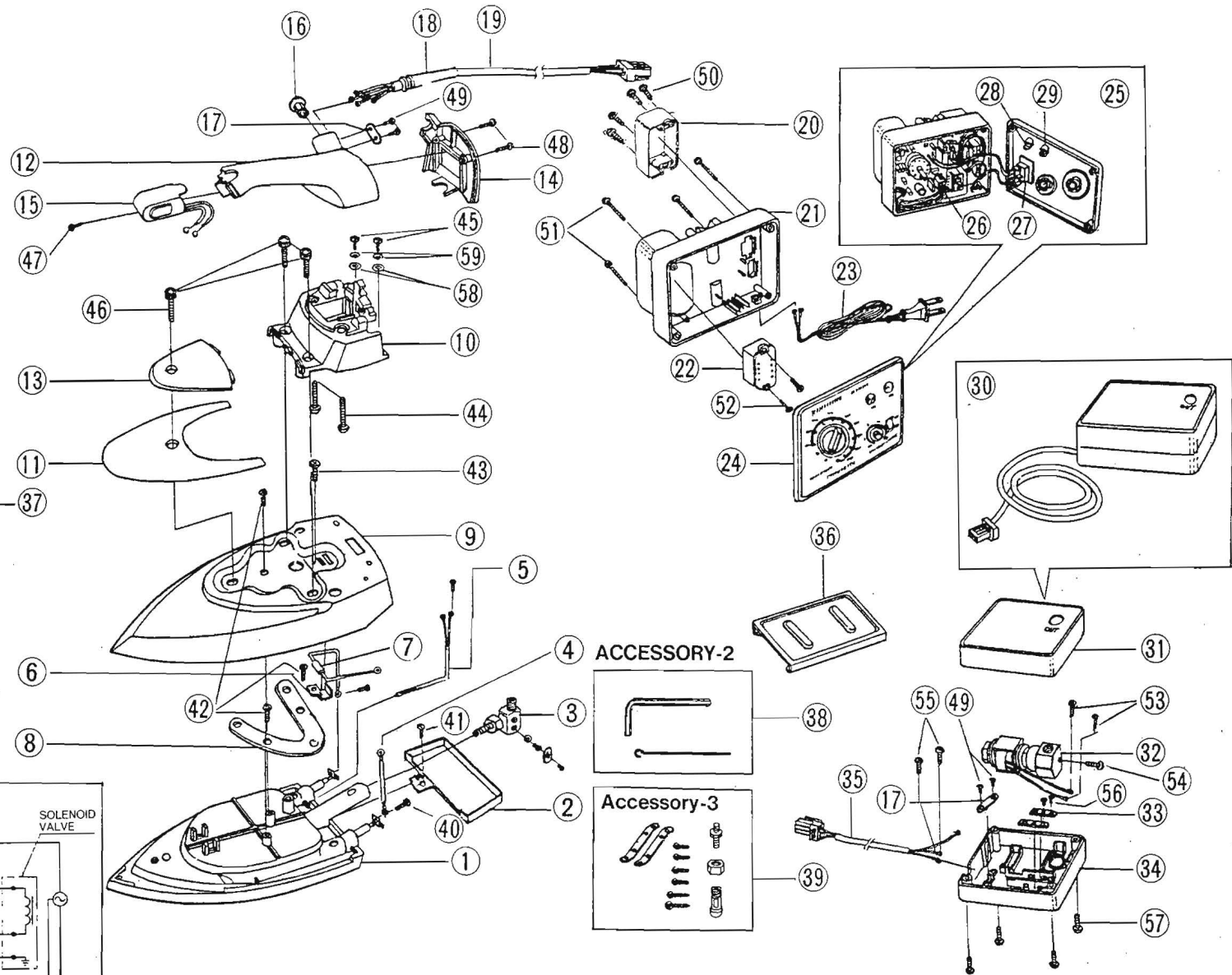
PARTS LIST



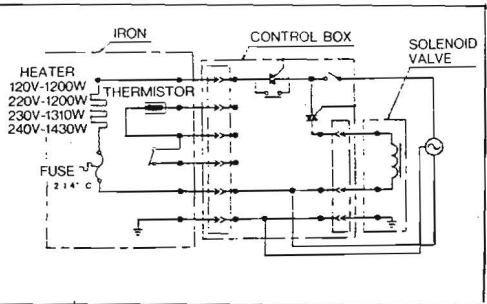
HASHIMA CO., LTD.

3-18, Higashi Kimpo-cho Gifu-city Japan Tel:(0582)47-8400
TELEX 4722118 HASIMA J FAX NO. (0582)47-6666

EXPLODED VIEW



WIRING DIAGRAM



PARTS LIST for HI-360DS

| Ref.No. | Parts Name | Part No. | Remarks |
|---------|------------------------|----------|--|
| 1-1 | Heating plate | HIP-401 | 120V-1200W |
| 1-2 | Heating plate | 402 | 220V-1200W 230V-1310W 240V-1430W |
| 2-1 | Rating plate | 501 | 120V-1200W |
| 2-2 | Rating plate | 502 | 220V-1200W 230V-1310W 240V-1430W |
| 3 | Valve control | 503 | |
| 4 | Heater lead wire(B) | 403 | |
| 5 | Thermistor | 404 | |
| 6 | Fuse fixing plate | 405 | |
| 7 | Fuse | 504 | |
| 8 | Band | 505 | |
| 9 | Cover shell | 406 | |
| 10 | Handle base | 407 | |
| 11 | Heating shelter | 506 | |
| 12 | Handle | 408 | |
| 13 | Handle sub-plate | 409 | |
| 14 | Rear handle base cover | 410 | |
| 15 | Switch | 411 | |
| 16 | Cap | 412 | |
| 17 | Cord stopper | 413 | |
| 18 | Power cord bushing | 414 | |
| 19-1 | Singnal cord | 415 | 120V |

| Ref.No. | Parts Name | Part No. | Remarks |
|---------|--------------------------|----------|--|
| 19-2 | Singnal cord | HIP-507 | 220V 230V 240V |
| 20 | Control box(C) | 508 | |
| 21-1 | Control box(B) | 509 | 120V |
| 21-2 | Control box(B) | 416 | 220V 230V 240V |
| 22-1 | Transformer | 417 | 120V |
| 22-2 | Transformer | 418 | 220V 230V 240V |
| 23-1 | Power cord assembly | 419 | 120V |
| 23-2 | Power cord assembly | 510 | 220V 230V 240V |
| 24 | Control box(A) | 420 | |
| 25-1 | Control box complete set | 421 | 120V-1200W |
| 25-2 | Control box complete set | 422 | 220V-1200W 230V-1310W 240V-1430W |
| 26-1 | Control circuit board | 511 | 120V |
| 26-2 | Control circuit board | 512 | 220V-240V |
| 27 | Power switch | 513 | |
| 28 | Pilot lamp cover | 423 | |
| 29 | Thermo lamp cover | 424 | |
| 30 | Steam valve unit | 425 | |
| 31 | Valve box(A) | 426 | |
| 32-1 | Solenoid valve | 427 | 120V |
| 32-2 | Solenoid valve | 428 | 220V-240V |
| 33 | Terminal | 429 | |

PARTS LIST for HI-360DS

| Ref.No. | Parts Name | Part No. | Remarks |
|---------|--------------------------------|----------|---------|
| 34 | Valve box(B) | HIP-430 | |
| 35 | Steam Valve cord | 431 | |
| 36 | Base | 432 | |
| 37 | Accessory-1 | 434 | |
| 38 | Accessory-2 | 435 | |
| 39 | Accessory-3 | 514 | |
| 40 | M4X6 Terminal screw | 515 | |
| 41 | M4X8 Washer head tapping screw | 516 | |
| 42 | M5X12 Pan head tapping screw | 517 | |
| 43 | M4X6 Truss head tapping screw | 518 | |
| 44 | M5X35 Pan head screw | 701 | |
| 45 | M4X14 Pan tapping screw | 702 | |
| 46 | M5X18 Hex.socket head screw | 703 | |
| 47 | M3X25 Pan head tapping screw | 601 | |
| 48 | M3X18 Pan head tapping screw | 602 | |
| 49 | M3X12 Pan head tapping screw | 603 | |
| 50 | M3X30 Pan head tapping screw | 604 | |
| 51 | M3X16 Pan head tapping screw | 605 | |
| 52 | M3X16 Pan head tapping screw | 606 | |
| 53 | M3X8 Pan head tapping screw | 607 | |
| 54 | M5X6 screw | 608 | |

| Ref.No. | Parts Name | Part No. | Remarks |
|---------|------------------------------|----------|---------|
| 55 | M3.5X5 Terminal screw | HIP-609 | |
| 56 | M3.5X5 Terminal screw | 610 | |
| 57 | M3X16 Pan head tapping screw | 611 | |
| 58 | M4 Washer | 612 | |
| 59 | M4 Spring washer | 613 | |
| | | | |
| | | | |
| | | | |
| | | | |
| | | | |
| | | | |
| | | | |
| | | | |
| | | | |
| | | | |
| | | | |
| | | | |
| | | | |
| | | | |
| | | | |
| | | | |
| | | | |